

**NOW
SELLING
CUSTOM HANGARS**



**GOLDEN
EARS AIRPARK**
at Pitt Meadows

Commercial & General Aviation Hangars

Conceived by pilots, for pilots, Golden Ears Airpark is a modern development in a purpose-built community.

**BUILD TO SUIT
NOW SELLING**

**UNITS FOR SINGLE AIRCRAFT
AND MULTI AIRCRAFT**

**CUSTOMIZE FOR
YOUR NEEDS**

**YOUR HANGAR
YOUR WAY**

Facility Highlights

LOCATION

- Directly adjacent and connected to newly renovated, award-winning YPK airport.
- Centrally located in the Lower Mainland near Vancouver and US Border.


SECURITY

- Private & secure gated facility.
- 24hr key fob access, 365 per year.
- Exterior LED downlit lighting at all doors.
- Illuminated roof level building wayfinding.

CONSTRUCTION

- Metal & wood frame construction.
- Custom metal exterior.

BASE UNIT FEATURES

- Fully electric, bifold doors by  **DIAMOND DOORS**
- 3ft. x 7ft. door for pilot, service and visitor access.
- Separate 240V electrical panel for each unit.
- LED ceiling light fixtures & 110V wall electricity.
- Smooth finished concrete floors.
- Extensive paved parking pads outside each unit.
- Extensive landscaping and greenery throughout.
- Water, sewer and natural gas rough-ins.



HANGAR SIZES AVAILABLE FOR MULTI PLANE STORAGE



BIFOLD DIAMOND DOORS



BUILD TO SUIT AT YPK

**FOR MORE
INFORMATION**
crvcgroup.com

RE/MAX
COMMERCIAL[®]

RE/MAX MP

ADRIAN KEENAN
adrian@adriankeenan.com

604-312-6488

Commercial & General Aviation Hangars

Customized commercial and general aviation hangars at Pitt Meadows Regional Airport (YPK), BC.



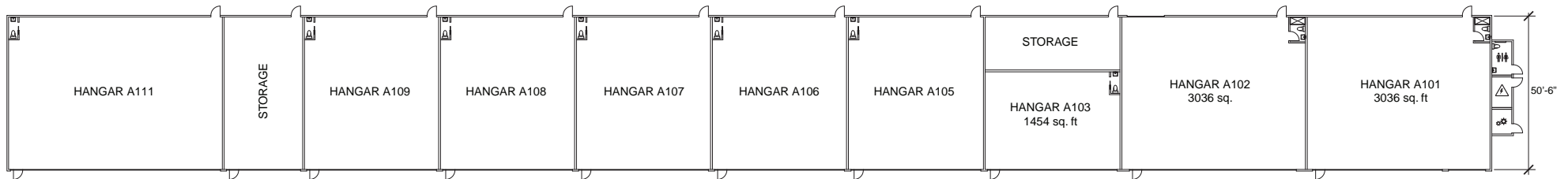
**BUILD TO SUIT
NOW SELLING**

**UNITS FOR SINGLE AIRCRAFT
AND MULTI AIRCRAFT**

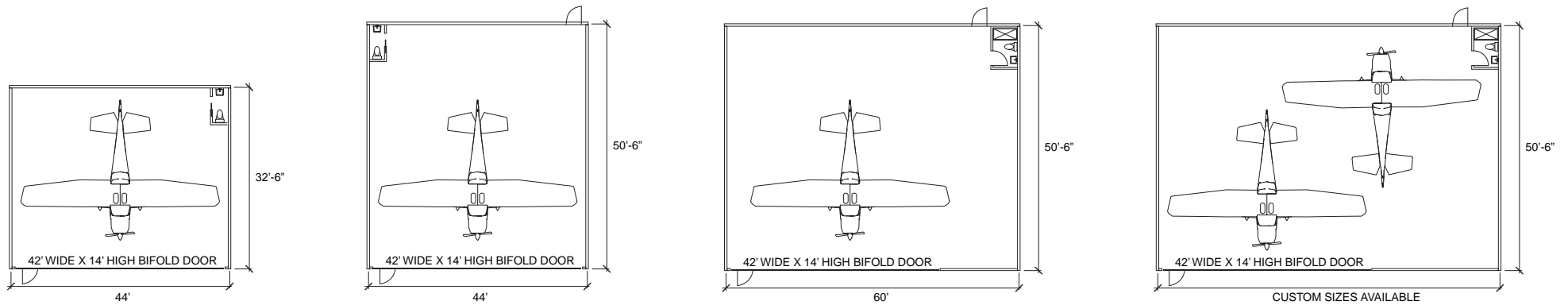
**CUSTOMIZE FOR
YOUR NEEDS**

**YOUR HANGAR
YOUR WAY**

Build to Suit Aviation Hangars



Potential Hangar Configurations



START YOUR DESIGN TODAY, WHILE SPACE IS STILL AVAILABLE

Whether you are a private owner or operating a commercial aviation business, secure your aircrafts in a fully customizable hangar space at Golden Ears Airpark.

Golden Ears Airpark is located at the newly revitalized Pitt Meadows Airport (YPK), a centrally located and growing hub for private and commercial aviation.

**FOR MORE
INFORMATION**

crtcgroup.com



RE/MAX MP

ADRIAN KEENAN
adrian@adriankeenan.com

604-312-6488

*FLOORPLANS ARE GRAPHIC RENDERINGS. DEVELOPER RESERVES THE RIGHT TO MAKE CHANGES AND ADJUSTMENTS.

DEVELOPMENT
PROJECT BY

